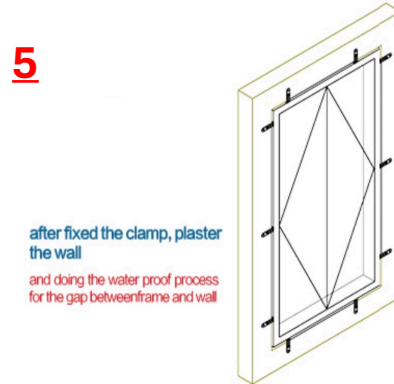
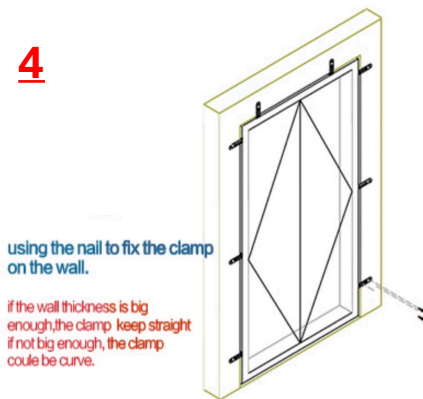
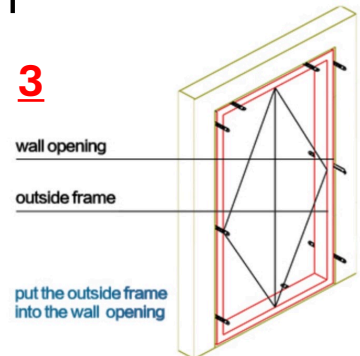
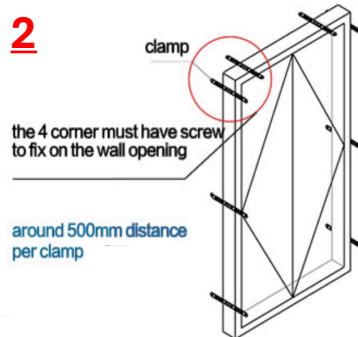
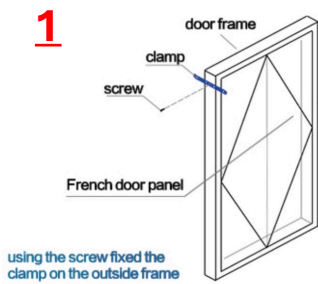


## Aluminium French Door Installation



Handle installation IMPORTANT: **LONG SQUARE SHAFT FOR MASTER DOOR, SHORT SQUARE SHAFT FOR OTHER DOOR**

Step 1- Position the handle correctly (Depending on the door opening)

Step 2 – Insert the square shaft inside the handle first. Make sure that the handles with the screw holes are inside the premises. Install the handle without the Locking cylinder first

Step 3 – Insert the inside handle with the square shaft into the lock hole of the master door

Step 4 – Put the outside handle into the hole of the square shaft.

Step 5- Screw in the two long screws from the interior handle.

Step 6- Install the lock cylinder; the cylinder must be installed from the interior to the exterior. Test if it works once done.

Step 7. The final step is to screw on the positioning screws on the lock cylinder.